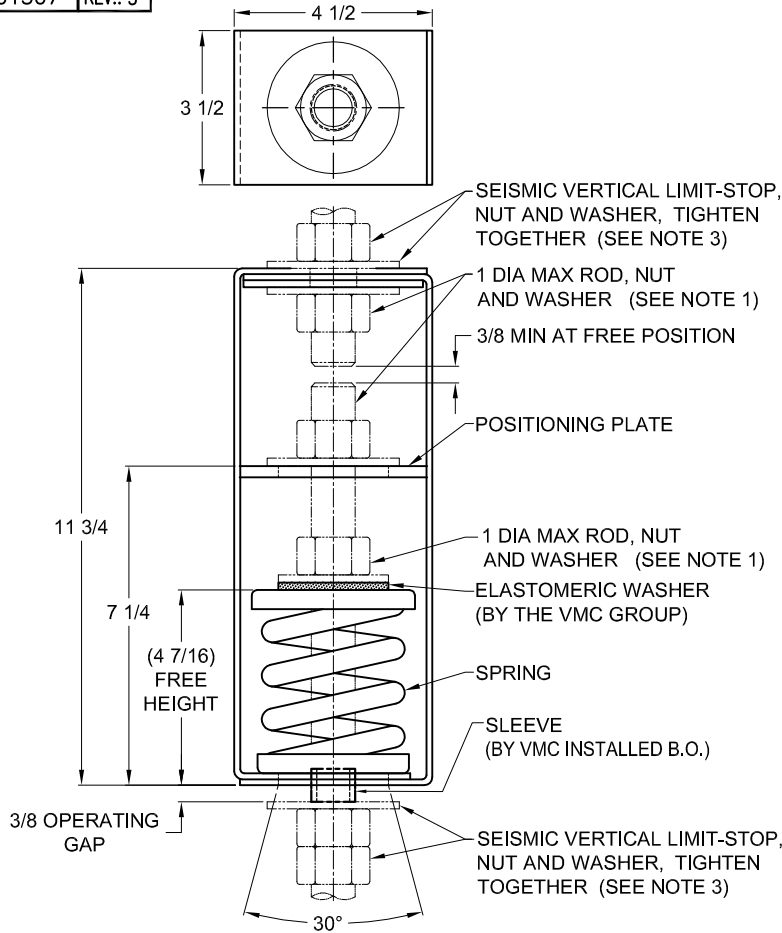
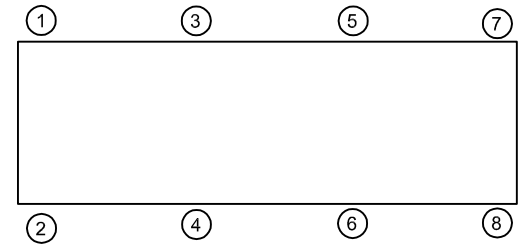


REV.	DESCRIPTION	DATE	BY



TYPE HSPA-1E SPRING POSITIONING & ANGULARITY HANGERS FOR 1" NOMINAL DEFLECTION				
HANGER	RATED LOAD (LBS)	DEFLECTION (IN)	SPRING RATE (LB/IN)	SPRING COLOR CODE
HSPA-1E-195	195	1.95	100	DK BLUE
HSPA-1E-400	400	1.32	303	BLACK
HSPA-1E-650	650	1.05	619	RED
HSPA-1E-1000	1000	1.00	1000	TAN
HSPA-1E-1400	1400	1.00	1400	PINK
HSPA-1E-2000	2000	1.11	1802	WHITE



- NOTES:**
- HANGER RODS, NUTS AND WASHERS, AS SHOWN, NOT BY THE VMC GROUP.
  - STANDARD FINISH: HANGER BOX - PAINTED, POWDER COATED OR GALVANIZED STEEL, SPRING - POWDER COAT.
  - SEISMIC VERTICAL LIMIT-STOP REQUIRED FOR SEISMIC APPLICATIONS. NOT BY THE VMC GROUP. INSTALL WASHER .165 THK. MIN. X 3 O.D. MIN. WITH REQUIRED INSIDE DIAMETER TO ACCOMMODATE ROD SIZE IN USE. THIS CAN BE ACCOMPLISHED BY USING A SINGLE WASHER OR BY STACKING NOT MORE THAN TWO WASHERS.
  - ALL DIMENSIONS IN INCHES. INTERPRET PER ANSI Y14.
  - ALL DIMENSIONS ARE FOR REFERENCE, DIMENSIONS SHOWN AS NOMINAL.
  - ALL SPRINGS ARE DESIGNED WITH MINIMUM 50% OVER-TRAVEL.
  - RATED DEFLECTIONS ARE WITHIN 25% OF NOMINAL. HIGHER DEFLECTIONS ARE ALLOWED IF THEY MEET SPECIFICATIONS.

ISOLATOR SELECTIONS	
LOC 1:	LOC 2:
LOC 3:	LOC 4:
LOC 5:	LOC 6:
LOC 7:	LOC 8:
CUSTOMER EQP'T. TAG:	

NOTE: MATERIAL SHOWN IS FOR (1) SET.

OTHER MATERIALS, COMPOUNDS, OR FINISHES WITH EQUAL OR SUPERIOR PROPERTIES MAY BE SUBSTITUTED AS THEY BECOME AVAILABLE.

**CERTIFIED FOR:**

JOB NAME: \_\_\_\_\_

CUSTOMER: \_\_\_\_\_

CUSTOMER P.O.: \_\_\_\_\_

SALES ORDER: \_\_\_\_\_

**MODEL HSPA-1E 195-2000 LBS. SPRING POSITIONING AND ANGULARITY HANGERS 1 INCH DEFLECTION**



SCALE: NONE

SHEET: \_\_\_\_\_

DRAWING NO.: \_\_\_\_\_

REVISION: \_\_\_\_\_

